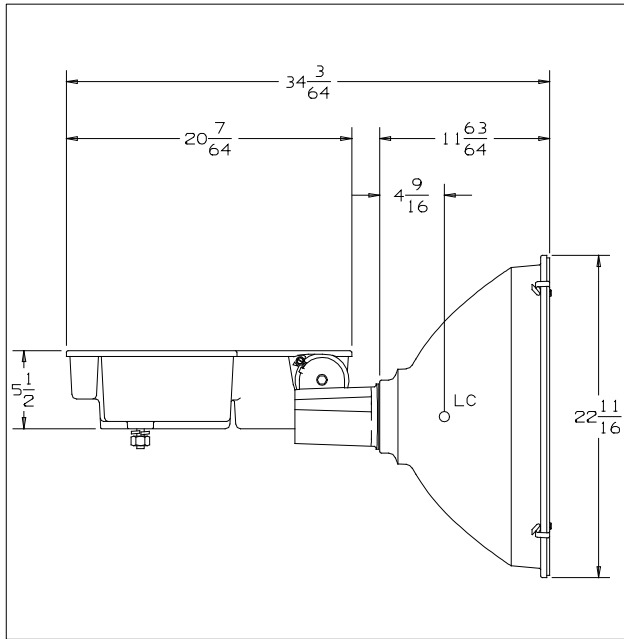




CAT NO.: SLS-1000Hx-x2x

TEST NUMBER: HP-10145

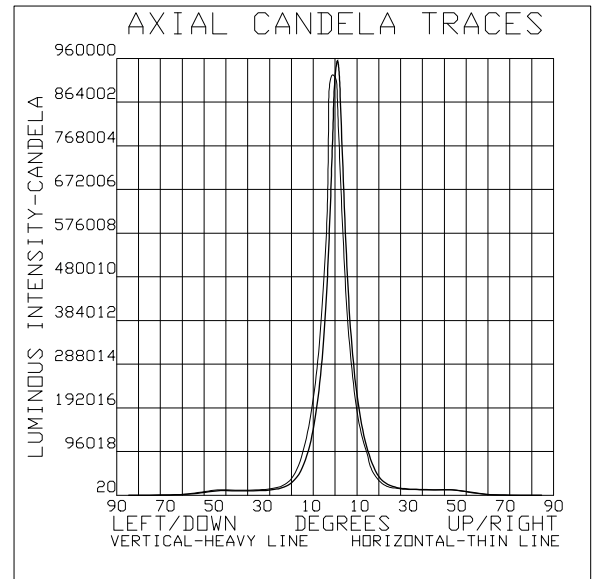


COVER GLASS: CLEAR, PLAIN, FLAT
REFLECTOR
SHAPE

FRONT: AS SPUN NEMA 2
REAR: AS SPUN NEMA 2
MATERIAL: ALUMINUM
ALLOY: 3002
FINISH: SPECULAR
REFLECTANCE
TOTAL: 81.0%
SPECULAR: 79.8%

* * * * LAMP DATA * * * *
DESIGNATION: MVR1000/U
SOURCE: HALIDE ARC
LUMEN REFERENCE: 108000.
BULB: BT56, CLEAR
VOLTAGE: 249. volts
POWER: 1000. watts
LIGHT CENTER LENGTH: 9.5 INCHES
BASE: MOGUL SCREW
SOCKET SPACER: NONE

* * * * PERFORMANCE * * * *
TYPE: 2 H X 2 V
MAXIMUM CANDELA: 961217
LOCUS OF MAX. CD -0.7H X 1.0V
AVERAGE OF 10 HIGHEST: 725919
BEAM SPREAD (AT 50% MAX. CD)
DEG. HORIZONTAL: 9.1
DEG. VERTICAL: 8.4
BEAM LUMENS: 11396
BEAM EFFICIENCY: 10.6%
FIELD SPREAD (AT 10% MAX. CD)
DEG. HORIZONTAL: 26.2
DEG. VERTICAL: 25.0
FIELD LUMENS: 39359
FIELD EFFICIENCY: 36.4%
SPILL LIGHT LUMENS: 42214
TOTAL LUMENS: 81573
TOTAL EFFICIENCY: 75.5%
TEST DISTANCE: 60.0



SPECIAL CONDITIONS:
CURRENT PRODUCTION (7/2004) REFLECTOR